

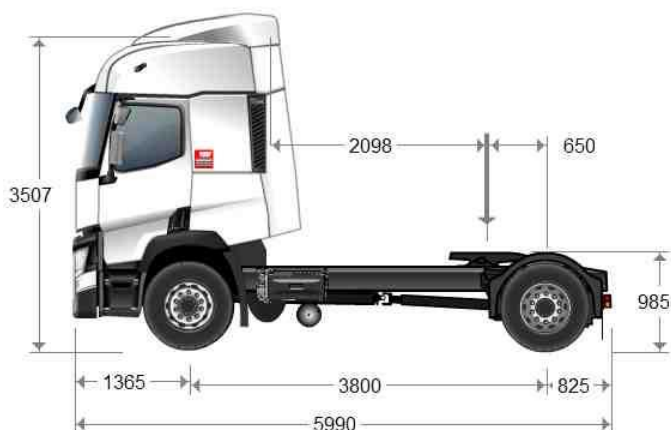
Model code : POT\_11MA016XLW08  
Print date: 04/11/2015  
Last updated: 04/11/2015

Prepared for :

## T 460.18 4X2 T X-LOW E6 - GVW 18T / GCW 40.00 T

### RENAULT TRUCKS

#### T 460



### WEIGHTS

Wheelbase		mm	3.800
Maximum Weight (registered)	Total (GVW)	Kg	18000
Payload	(C)	Kg	10049
Maximum Weight (registered)	Front axle 1	Kg	6700.00
	rear axle 1	Kg	11500
Min. weight complete vehicle unladen	Front axle(s)	Kg	5974.00
Kerb Weight	total	Kg	7951
Chassis cab kerb weight	Front Axle 1	Kg	5549.00
	Rear Axle 1	Kg	2402.00
Total vehicle weight under full load at YMIN	Front axle(s)	Kg	
	Rear axle(s)	Kg	
Total vehicle weight under full load at YMAX	Front axle(s)	Kg	
	Rear axle(s)	Kg	



To maintain the driving comfort (lightness of steering, braking) of vehicles in all load and driving conditions once the vehicle is bodied, the following minimum axle load(s) must be respected: A value corresponding to 29% of the weight of the unladen bodied vehicle kerb weight (with driver, without passenger)

This table includes the weights of the RENAULT TRUCKS options: full urea tank, oil, screen wash fluid and coolant at 100%, fuel fill level 90% and driver present (75kg).

## LENGTHS

Wheelbase		mm	3.800
Front Overhang	(H / BEP L016)	mm	1365
Wheelbase	(F / BEP L011)	mm	3800
Rear overhang	Chassis	mm	825
Centre of Gravity of vehicle	at X (BEP L044)	mm	1159.00
Overall Chassis Length	(A / BEP L032+L016)	mm	5990

## HEIGHTS

Wheelbase		mm	3.800
Ground clearance, laden	Front (U1 / BEP H015)	mm	173
	Rear (U3 / BEP H016)	mm	182
Max. exterior height unladen	(BEP H001)	mm	3792
Max. exterior height, cab tilted, unladen	(O1 / BEP H061)	mm	4255.00
Cab height (unladen)	(O)	mm	3507
Distance from ground to lowest point at front of vehicle	Unladen (H0 / BEP H18)	mm	228.00
	Laden (H0 / BEP H18)	mm	228.00
Frame top height at front axle	Unladen (H1 / BEP H035)	mm	846.00
	Laden (H1 / BEP H036)	mm	840.00
Frame top height at drive axle	Unladen (H2 / BEP H037)	mm	813
	Laden (H2 / BEP H038)	mm	795
Frame top height at the rear of the frame	Unladen (HN)	mm	806.00
	Laden (HN)	mm	786.00
Centre of Gravity of vehicle	Unladen at Z (BEP H044)	mm	859.00
Side member height	(BEP H032)	mm	266.00

## TOWING DEVICE

Wheelbase		mm	3.800
Distance between the front of the vehicle and the centre of the trailer coupling device	(BEP L073 + L016)	mm	4515.00
Distance between centre of last axle to centre of coupling device		mm	
Fifth wheel height, from top of side member	(BEP H074 + H071)	mm	166.00
Fifth wheel height from ground	Unladen (BEP H076)	mm	985
	Laden (BEP H078)	mm	969
Swept Swing Clearance	(BEP L078)	mm	2098.00
Fifth wheel position	Max. (Ymax / BEP L075)	mm	850
Gross Vehicle Weight	at YMAX	Kg	18000.00
Gross Vehicle Weight, load on front axle(s)	at YMAX	Kg	6700.00
Gross Vehicle Weight, load on rear axle(s)	at YMAX	Kg	11300.00
King Pin Load	at YMAX	Kg	10049.00
King Pin Load on Front Axle(s)	at YMAX	Kg	1151.00
King Pin Load on RearAxle(s)	at YMAX	Kg	8898.00
Fifth wheel position	Min. (Ymin / BEP L077)	mm	150
Gross Vehicle Weight	at YMIN	Kg	18000.00
Gross Vehicle Weight, load on front axle(s)	at YMIN	Kg	6500.00
Gross Vehicle Weight, load on rear axle(s)	at YMIN	Kg	11500.00
King Pin Load	at YMIN	Kg	10049.00

King Pin Load on Front Axle(s)	at YMIN	Kg	951.00
King Pin Load on RearAxle(s)	at YMIN	Kg	9098.00
Fifth wheel position	Manufacturer's recommendation (Y / BEP L076)	mm	650
Gross Vehicle Weight	in fifth wheel position recommended by manufacturer	Kg	14680.00
Gross Vehicle Weight, load on front axle(s)	in fifth wheel position recommended by manufacturer	Kg	6700.00
Gross Vehicle Weight, load on rear axle(s)	in fifth wheel position recommended by manufacturer	Kg	7980.00
King Pin Load	in fifth wheel position recommended by manufacturer	Kg	6729.00
King Pin Load on Front Axle(s)	in fifth wheel position recommended by manufacturer	Kg	1151.00
King Pin Load on RearAxle(s)	in fifth wheel position recommended by manufacturer	Kg	5578.00
Fifth wheel position	Intermediate 1	mm	600.00
Gross Vehicle Weight	in intermediate fifth wheel position 1	Kg	15241.00
Gross Vehicle Weight, load on front axle(s)	in intermediate fifth wheel position 1	Kg	6700.00
Gross Vehicle Weight, load on rear axle(s)	in intermediate fifth wheel position 1	Kg	8541.00
King Pin Load	in intermediate fifth wheel position 1	Kg	7290.00
King Pin Load on Front Axle(s)	in intermediate fifth wheel position 1	Kg	1151.00
King Pin Load on RearAxle(s)	in intermediate fifth wheel position 1	Kg	6139.00
Fifth wheel position	Intermediate 2	mm	550.00
Gross Vehicle Weight	in intermediate fifth wheel position 2	Kg	15903.00
Gross Vehicle Weight, load on front axle(s)	in intermediate fifth wheel position 2	Kg	6700.00
Gross Vehicle Weight, load on rear axle(s)	in intermediate fifth wheel position 2	Kg	9203.00
King Pin Load	in intermediate fifth wheel position 2	Kg	7952.00
King Pin Load on Front Axle(s)	in intermediate fifth wheel position 2	Kg	1151.00
King Pin Load on RearAxle(s)	in intermediate fifth wheel position 2	Kg	6801.00
Sliding fifth wheel	front fork	mm	
	rear yoke	mm	

## WIDTHS

Wheelbase		mm	3.800
Max exterior cab width with rear view mirrors open	(BEP W001)	mm	2534.00
Max. cab width	(BEP W002)	mm	2534
Frame width	Front (BEP W035)	mm	1080
	Rear (BEP W036)	mm	850
Width at rear wheels	Rear axle 1 (V3 / BEP W003.1)	mm	2500
Track	Front (V1 / BEP W013.1)	mm	2028
	Rear 1 (V2 / BEP W013.2)	mm	1837

## OTHER

Wheelbase		mm	3.800
Approach angle	(BEP H010)	°	11
Ramp angle	(BEP H012)	°	12.70
Departure angle	(BEP H011)	°	25.10
Side member thickness	(BEP W034)	mm	7.00
Turning Radius	Overall (BEP W012)	mm	7550.00
	kerb to kerb	mm	6856.50
	interior	mm	3117.00



## DTI 11 ENGINE

**Max. power output: 338 kW between 1700 and 1900 rpm**  
**Max. torque: 2200 Nm from 1000 rpm to 1400 rpm**

6-cylinder in-line diesel engine - Common rail high-pressure fuel-injection (1700 bar) - 24 valves - overhead camshaft, rear-mounted timing

High pressure provided by three pumps on injector bodies

Bore 123 mm - stroke 152 mm - Capacity 10.8 L

Turbocharger

Electronically controlled fan

Direction of rotation (seen from G/B end): anti-clockwise

EEC EURO VI pollution control level

Compact post-treatment system (7th injector, catalytic converter, DPF, SCR)

Automatic regeneration of particulate filter

Soundproofing level complies with EEC standards (80dB)

## ENGINE EQUIPMENT

Power mode is activated by passing the 'hard spot' at the end of the accelerator pedal stroke (kick down)

Partial gas recycling (semi-closed circuit)

Intake air preheating cold starting device

Electronic speed limiter (90 km/h).

## CLUTCH

Single-plate clutch, diameter 430 mm

## GEARBOX

*Optidriver gearbox AT0 2612E (11.73 - 0.79) automated clutch. Aluminium housing. Max. torque 2550 Nm, 12 forward gears and 3 reverse gears*

*Choice of mode of use on steering wheel (automatic/manual) Steering wheel mounted gear selector.*

*Gearshifting strategy optimised for FUEL ECO*

*Gearbox rear intermediate housing in aluminium*

*Gearbox oil cooler, oil/water heat exchanger*

## RETARDER

OPTIBRAKE (power rating 300 kW at 2300 rpm), combination of the exhaust brake and valve compression braking, coupled to service brake

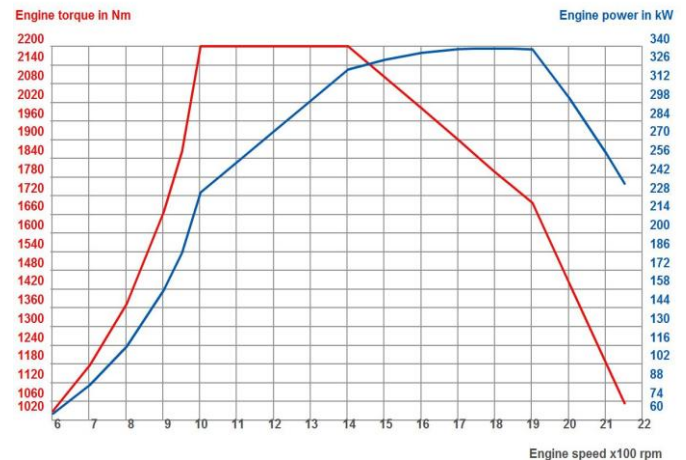
## POWER TAKE-OFFS

Without gearbox mounted PTO

## STEERING

Steering ratio 20:1 - Steering wheel diameter 460 mm

Driving on the right



## AXLE

Load capacity (technical max.) Front axle: 7.1 t.

## REAR DRIVE AXLE

P13170 single reduction final drive axle

*Differential lock*

Load capacity: Rear axle: 11.5 t

*Drive axle ratio: 3.08*

Engine speed at 90 km/h: 1268 rpm

## WHEELS AND TYRES

*Dimension 315/60 R22.5*

*Profile M. ENERGY XF/XDA2+*

Steel disc wheels

Front wheel trims

Spare wheel and tyre supplied loose.

## BRAKING

### Service brake:

Braking system with two independent circuits

Ventilated disc brakes

Electronic management of air production by EACU (Electronic Air Control Unit):

Dryer cartridge optimised by preventive maintenance.

Twin-cylinder air compressor 900 l/min, 636 cm<sup>3</sup>

Two line trailer braking system (ISO connections).

15-pin services socket

Trailer brake device at cab rear

### EBS:

Anti-lock braking system (ABS).



Anti-slip regulation (ASR).  
 Drag torque control (Torque control during downshifting).  
 Brake harmonisation of tractor and trailer (if equipped)  
 (Disc) brake pad wear compensation  
 Retarder and service brake linking  
 Differential engagement management (if equipped) at speeds  
 <10 km/h (4x2)  
 Hill Start Aid  
 Braking performance warning  
 ESC (Electronic Stability Control) trajectory control and anti-  
 rollover system  
 Coupling traction test  
 Emergency brake assist (EBA)  
 Emergency brake lights (EBL)

### Parking brake:

EPB (Electronic Parking Brake) automatic parking brake,  
 immobilization provided by spring cylinders

### Brake adjustment:

Automatic brake lining slack compensation.

### Emergency brake:

Ensured by independence of main device circuits

## CAB

### Cab exterior:

All steel Cab, electro-zinc plated and cathaphoretic paint  
 treatment.  
 Sleeper Cab  
 Cab paint colour: WHITE EKLA  
 Full paint  
 Dark grey front face finish  
 Aerodynamic dirt deflectors on the headlamps  
 Four point mechanical cab suspension.  
 Two side doors of which one is accessible from inside the cab  
 2 heated, remote control rear view mirrors.  
 2 wide angle rearview mirrors.  
 Kerb view mirror.  
 Rear view mirrors for bodywork up to 2.55 m wide  
 Fold-back front view mirror  
 Rearview mirrors silver finish  
 Air horn  
 Spray suppression on front wings  
*Side deflectors (2 opening panels)*  
*Adjustable roof deflector.*  
 Door extension  
 Without rear window.

### Cab interior:

Ultimate Alu finish  
*Performance roof console, 4 storage compartments with  
 doors including 1 with key lock, 1 storage space with net,  
 folding mirror, 4 ISO modules*  
 Interior sun blind on windscreen and on driver and passenger  
 side windows

MP3/WMA-compatible CD player  
 AM/FM tuner  
 radio information on the main information display  
 Steering wheel controls  
 CB pre-equipment.  
 Dual CAN digital tachograph  
 Offset 24 V socket  
 Electrically operated roof hatch.  
 Mosquito net on air vent  
 Interior roof grab handle  
*Rubber floor mat*  
 Air-suspended driver's seat with fitted seat belt  
 Driver's armrest  
 Safety belt warning.  
 Fixed passenger's seat with seat belt.  
 Vinyl and fabric seat trim.  
 Performance lower bunk  
*Performance upper bunk, bunk access ladder*  
 Air supply to the rear of the driver's seat  
*Drawer under bunk with document holder*  
 Reading lamps on overhead ledge  
 Direct cab lighting  
 Red night lighting  
 Cab lighting time-delay.  
 Curtains around cab.  
*Articulated LED lamps in bunk area*  
 Bunk area remote control  
 12 and 24 V sockets on bunk  
 Provision for 50A max. electrical power supply  
*24L refrigerator in central storage under bench, quiet with  
 thermostat and vehicle battery management*  
 2 storage boxes under bunk, one accessible from interior and  
 exterior  
 2 Coat hooks on rear panel and one on passenger side  
 Driver's window with impulse control.  
 Cab independent night heater air/air (2 kW)  
 Reinforced heat insulation  
 Electronic air conditioning.  
 Cab air filtration  
 Handbook and Service pack in Polish.  
*2 loudspeakers and 2 tweeters*

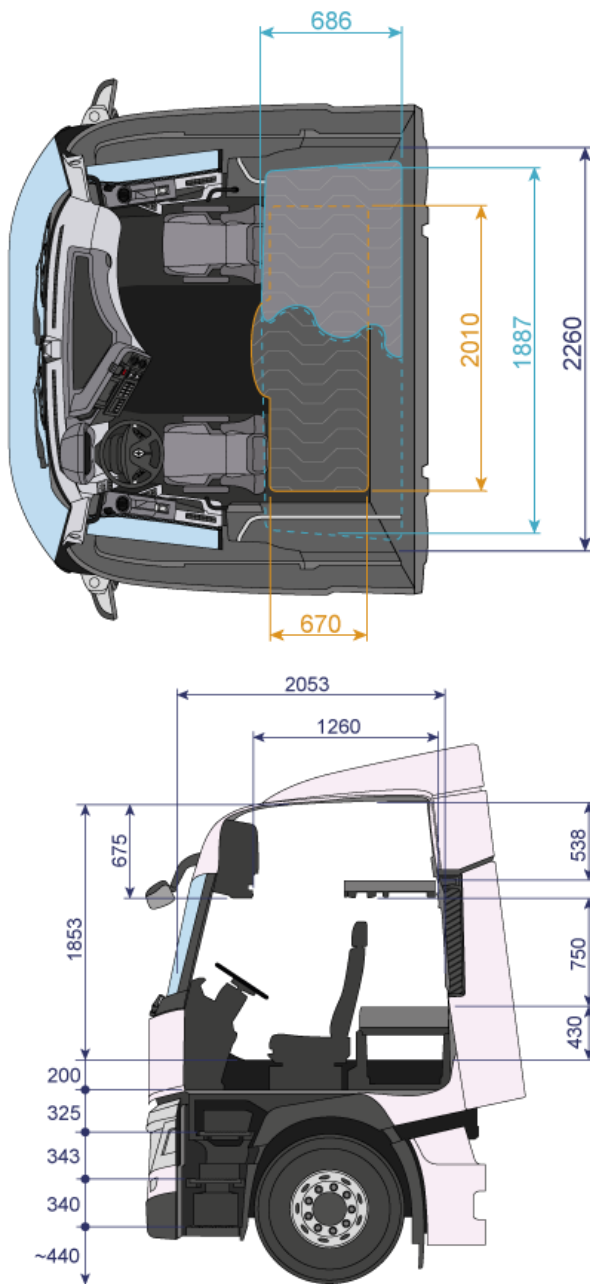
### Steering wheel equipment:

"Performance" 4-spoke steering wheel adjustable for height  
 and depth, with control for cruise control  
 OPTIDRIVER control  
 OPTIBRAKE and retarder control on right-hand side  
 Easy Access steering column adjustable in 2 directions  
 Removable writing board on steering wheel

### Instrument panel:

Panoramic dashboard  
 7" HD colour information display  
 12 V + 24 V socket on dashboard, for accessories.  
 Starting inhibitor controlled by transponder key.  
 Remote control central door locking with folding key  
*Soft cruise control with Optiroll*





**ELECTRONIC EQUIPMENT:**

*Load per axle indicator*  
SAE cab socket for vehicle data extraction (Optifuel Infomax).  
*Toll Collect pre-equipment*  
*FMS Gateway fleet management interface*  
Telematics provision including the TGW (Telematics GateWay): base for subscription to Optifleet Map, Check and Drive services  
Lane Departure Warning System (LDWS)

Automatic emergency braking system  
English and Polish language display  
*Additional language (German)*

**ELECTRICAL EQUIPMENT**

Battery capacity: 225 Ah  
Batteries mounted side by side on LH side.  
Battery cut-out remote control  
Electrical circuit automatically goes to standby  
Alternator : 150 amp capacity.

**CHASSIS**

Removable front towing cap.  
Front under-run protection.  
Closing cross member with pre-drilling for towing yoke  
Low fifth wheel mounting H=16 mm  
Jost JSK 42C, 2" cast iron fifth wheel, D 152 kN  
*Fifth wheel position: Y = 650 mm*  
Rear manwalk.  
Rear wings with anti-spray  
*Lowered wing position, recommended for motorway use.*  
2 foldaway wheel chocks  
Side exhaust.

**BUMPER - STEPS AND LIGHTING**

3-part plastic bumper  
Retractable windscreen access step in radiator grille  
Access to driving position by 3 steps  
Step lighting.  
Electrical headlamp levelling control.  
LED day running lights  
Provision for lighting rail on front end  
Coupling light (70W).  
Front fog lights.  
Halogen headlights  
Roof beacon pre-equipment

**SUSPENSION**

**Front suspension**

Front air suspension.  
Stabiliser bar

**Rear suspension:**

Rear air suspension.  
Suspension remote control (2 channels).

**FUEL TANK**

*Main and additional aluminium tanks.*  
*Main fuel tank:475 litres capacity D560 profile mounted on right*



Main fuel tank: 475 litres capacity D560 profile mounted on right  
Fuel filter heater  
Reheating and insulation of fuel circuit  
Heavy duty sedimenter and prefilter (R90).Bleed control on dashboard.

### AdBlue

44-litre AdBlue tank  
Tank under cab

### STANDARD EQUIPMENT

Tool kit.  
Jack 12t  
Windscreen washer bottle capacity: 12L

### GEARBOX RATIOS

1	2	3	4	5	6	7	8	9	10	11	12
11.73	9.21	7.09	5.57	4.35	3.41	2.70	2.12	1.63	1.28	1.00	0.79

*The manufacturer reserves the right to modify the specifications above without prior notice.  
Non contractual document.*

*For further assistance please contact Product Applications at Renault Trucks UK Limited, Houghton Hall Business Park, Porz Avenue, Dunstable, LU5 5FT. Telephone +44 (0)1582 471122.*

### BODYWORK

Side marker lights.  
Bodybuilder connection interface

### SERVICE

#### Optifleet:

Pre-equipment for monthly Optifleet Check: technical data reports for fuel consumption monitoring by vehicle and by driver, activation of service on request subject to monthly subscription

Pre-equipment for monthly Optifleet Map: vehicle geolocation, geofencing and route analysis. Activation of service on request subject to monthly subscription

